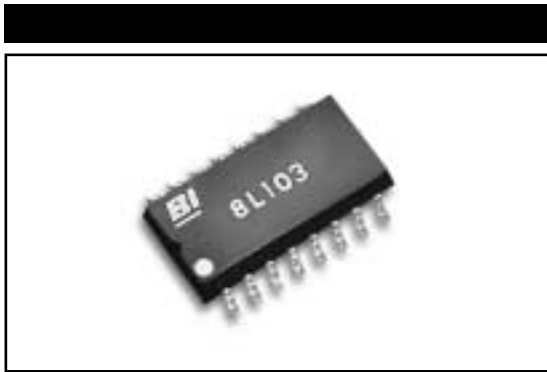


MODEL 628 L
R/2R Ladder
.220" Small Outline
Thick Film DIP
Surface Mount
Resistor Networks



ELECTRICAL

Standard Resistance Range, Ohms	1K to 100K
Standard Resistance Tolerance, at 25°C	±2%
Operating Temperature Range	-55°C to +125°C
Temperature Coefficient of Resistance	±100ppm/°C
Maximum Operating Voltage	50Vdc or √PR
Insulation Resistance	≥10,000 Megohms
Ladder Network Accuracy	8 Bits: ±1/2 LSB, -55°C to +125°C

4

MECHANICAL

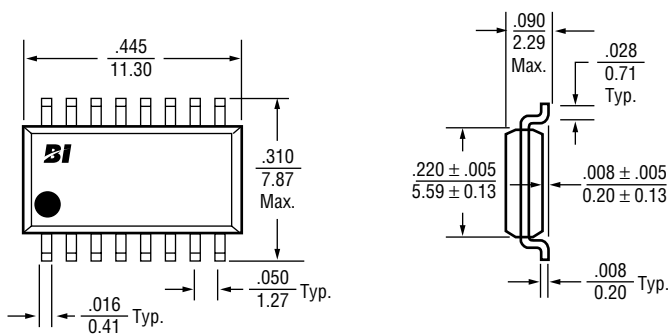
Lead Material	Copper Alloy, 60/40 Tin-Lead (Dipped)
Lead Configuration	Gull Wing
Lead Coplanarity	±0.002 in. (0.057mm)
Substrate Material	Alumina
Resistor Material	Cermet
Body Material	Epoxy

APPLICABLE DOCUMENTS

- MIL-R-914 — Resistor Networks, Fixed, Film, Surface Mount Established Reliability General Specification
- MIL-STD-202 — Test Methods for Electronic and Electrical Component Parts
- EIA-481 — Carrier Taping of Surface Mount Components for Automatic Handling
- EIA-PDP-100 — SOGN-0002 Outline Dimensions

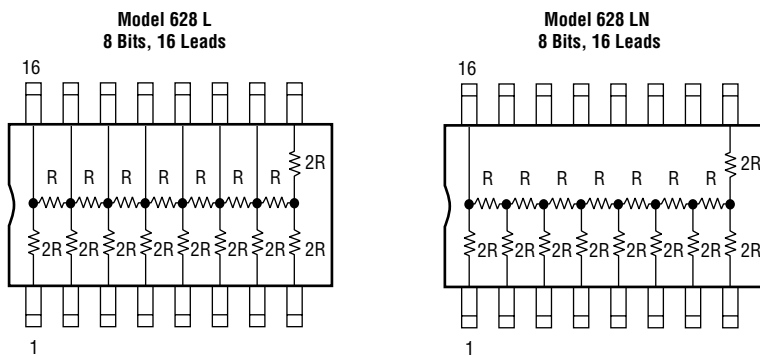
Specifications subject to change without notice.

OUTLINE DIMENSIONS (Inch/mm)



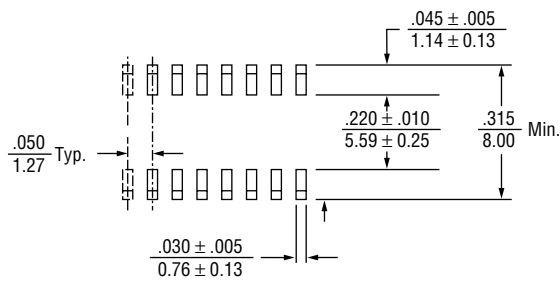
Note: Maximum Allowable Mold Excursion = 0.006"

SCHEMATICS

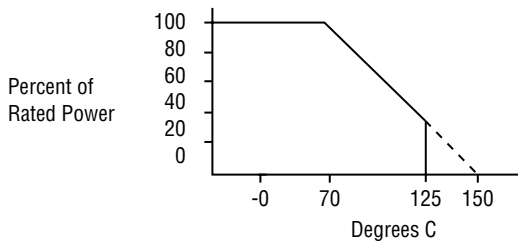


Note: Custom circuits are available. Consult factory.

SOLDER PAD LAYOUT



POWER DERATING CURVE



POWER DISSIPATION, WATTS AT 70°C

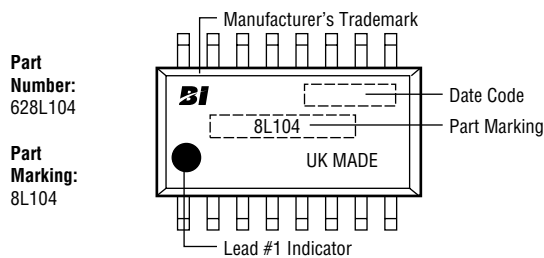
Model	Per Package	Per Resistor
628L	0.640	0.040

STANDARD RESISTANCE VALUES, OHMS

R/2R	R/2R	R/2R
1K/2K	25K/50K	100K/200K
10K/20K	50K/100K	

4

TYPICAL PART MARKING



PACKAGING

Standard: Tape & Reel

Conforms to requirements of EIA-481.

All units oriented with lead #1 to the left of direction of feed.

Tape:	Width	=	24mm
	Pocket	=	Embossed Plastic, Antistatic
	Pitch	=	12mm
Reel:	Diameter	=	13" (330mm) Maximum
	Capacity	=	2,000 Units

Option: Magazines

Conforms to EIA and JEDEC standards.

All units oriented with lead #1 to the same side.

Magazine:	Capacity	=	50 Units
-----------	----------	---	----------

ORDERING INFORMATION

